



500 SERIES

Hydraulic filters, very high pressure, in line, in anodized aluminum, maximum flow rate 100 l / min, maximum pressure 500bar

Series: 500 In line

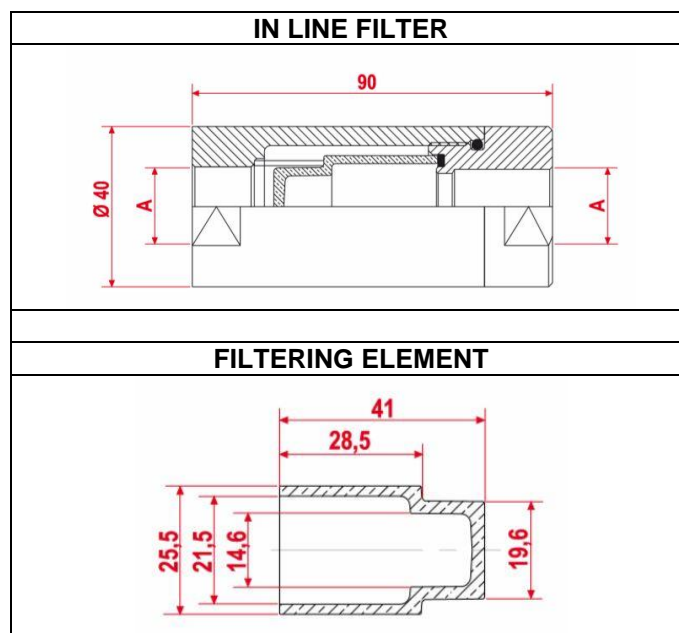
Product line: Agricultural and Forestry, Earthmoving, Automotive, Industrial, Marine, Wind, Transport

- In line operation
- Compact and lightweight
- Maximum strength and efficiency
- High filtering performance and resistance
- With anti-extrusion to overcome even the highest pressure peaks
- Interchangeable filter parts
- Replaceable or washable filter cartridge in sintered bronze
- Reversible filter to ensure filtering in both directions of the flow
- Ease of installation

Technical features:

Max working pressure (bar):	500
Max oil flow (nominal) (l/min):	100
Filtering range (µm):	10-25-40-60-80/100
Filter body:	Anodized aluminum
Filtering element:	Sintered bronze
Seals:	NBR / VITON
Oil ports:	BSP / NPTF
Threads:	1/2 " - 1/4 " - 3/8"
Weight (kg):	0,24

Size:





Via F. De Pisis, 5 - 42124 Reggio Emilia (Italy)
Tel. +39 0522 505 911 - Fax +39 0522 514 204
E-mail: bell@bell.it - Web-Site: www.bell.it - PEC: bell@pec.bell.it

To order:

P/N	DESCRIPTION	THREAD	FILTERING	BODY	FLOW	TYPE
924001410	IL 14/10	1 / 4" BSP	10 µ	ALU	→	NBR 70SH
924001425	IL 14/25	1 / 4" BSP	25 µ	ALU	→	NBR 70SH
924001440	IL 14/40	1 / 4" BSP	40 µ	ALU	→	NBR 70SH
924001460	IL 14/60	1 / 4" BSP	60 µ	ALU	→	NBR 70SH
924003810	IL 38/10	3 / 8" BSP	10 µ	ALU	→	NBR 70SH
924003825	IL 38/25	3 / 8" BSP	25 µ	ALU	→	NBR 70SH
924003840	IL 38/40	3 / 8" BSP	40 µ	ALU	→	NBR 70SH
924003860	IL 38/60	3 / 8" BSP	60 µ	ALU	→	NBR 70SH
924003880	IL 38/80	3 / 8" BSP	80 µ	ALU	→	NBR 70SH
924001810	IL 18/10	M18X1,5	10 µ	ALU	→	NBR 70SH
924001825	IL 18/25	M18X1,5	25 µ	ALU	→	NBR 70SH
924001840	IL 18/40	M18X1,5	40 µ	ALU	→	NBR 70SH
924001860	IL 18/60	M18X1,5	60 µ	ALU	→	NBR 70SH
924001880	IL 18/80	M18X1,5	80 µ	ALU	→	NBR 70SH
924001210	IL 12/10	1 / 2" BSP	10 µ	ALU	→	NBR 70SH
924001225	IL 12/25	1 / 2" BSP	25 µ	ALU	→	NBR 70SH
924001240	IL 12/40	1 / 2" BSP	40 µ	ALU	→	NBR 70SH
924001260	IL 12/60	1 / 2" BSP	60 µ	ALU	→	NBR 70SH
924001280	IL 12/80	1 / 2" BSP	80 µ	ALU	→	NBR 70SH
924001412	IL 14/10	1 / 4" BSP	10 µ	ALU	→	VITON
924001427	IL 14/25	1 / 4" BSP	25 µ	ALU	→	VITON
924001442	IL 14/40	1 / 4" BSP	40 µ	ALU	→	VITON
924001462	IL 14/60	1 / 4" BSP	60 µ	ALU	→	VITON
924001482	IL 14/80	1 / 4" BSP	80 µ	ALU	→	VITON
924003812	IL 38/10	3 / 8" BSP	10 µ	ALU	→	VITON
924003827	IL 38/25	3 / 8" BSP	25 µ	ALU	→	VITON
924003842	IL 38/40	3 / 8" BSP	40 µ	ALU	→	VITON
924003862	IL 38/60	3 / 8" BSP	60 µ	ALU	→	VITON
924003882	IL 38/80	3 / 8" BSP	80 µ	ALU	→	VITON
924001812	IL 18/10	M18X1,5	10 µ	ALU	→	VITON
924001827	IL 18/25	M18X1,5	25 µ	ALU	→	VITON
924001842	IL 18/40	M18X1,5	40 µ	ALU	→	VITON
924001862	IL 18/60	M18X1,5	60 µ	ALU	→	VITON
924001882	IL 18/80	M18X1,5	80 µ	ALU	→	VITON
924001212	IL 12/10	1 / 2" BSP	10 µ	ALU	→	VITON
924001227	IL 12/25	1 / 2" BSP	25 µ	ALU	→	VITON
924001242	IL 12/40	1 / 2" BSP	40 µ	ALU	→	VITON
924001262	IL 12/60	1 / 2" BSP	60 µ	ALU	→	VITON
924001282	IL 12/80	1 / 2" BSP	80 µ	ALU	→	VITON
924001411	IL-R 14/10	1 / 4" BSP	10 µ	ALU	↔	NBR 70SH
924001426	IL-R 14/25	1 / 4" BSP	25 µ	ALU	↔	NBR 70SH
924001441	IL-R 14/40	1 / 4" BSP	40 µ	ALU	↔	NBR 70SH
924001461	IL-R 14/60	1 / 4" BSP	60 µ	ALU	↔	NBR 70SH
924001481	IL-R 14/80	1 / 4" BSP	80 µ	ALU	↔	NBR 70SH
924003811	IL-R 38/10	3 / 8" BSP	10 µ	ALU	↔	NBR 70SH
924003826	IL-R 38/25	3 / 8" BSP	25 µ	ALU	↔	NBR 70SH
924003841	IL-R 38/40	3 / 8" BSP	40 µ	ALU	↔	NBR 70SH
924003861	IL-R 38/60	3 / 8" BSP	60 µ	ALU	↔	NBR 70SH
924003881	IL-R 38/80	3 / 8" BSP	80 µ	ALU	↔	NBR 70SH
924001811	IL-R 18/10	M18X1,5	10 µ	ALU	↔	NBR 70SH
924001826	IL-R 18/25	M18X1,5	25 µ	ALU	↔	NBR 70SH
924001841	IL-R 18/40	M18X1,5	40 µ	ALU	↔	NBR 70SH
924001861	IL-R 18/60	M18X1,5	60 µ	ALU	↔	NBR 70SH
924001881	IL-R 18/80	M18X1,5	80 µ	ALU	↔	NBR 70SH
924001211	IL-R 12/10	1 / 2" BSP	25 µ	ALU	↔	NBR 70SH
924001226	IL-R 12/25	1 / 2" BSP	25 µ	ALU	↔	NBR 70SH
924001241	IL-R 12/40	1 / 2" BSP	40 µ	ALU	↔	NBR 70SH
924001261	IL-R 12/60	1 / 2" BSP	60 µ	ALU	↔	NBR 70SH
924001281	IL-R 12/80	1 / 2" BSP	80 µ	ALU	↔	NBR 70SH
924001413	IL-R 14/10	1 / 4" BSP	10 µ	ALU	↔	VITON

P/N	DESCRIPTION	THREAD	FILTERING	BODY	FLOW	TYPE
924001429	IL-R 14/25	1 / 4" BSP	25 µ	ALU	↔	VITON
924001443	IL-R 14/40	1 / 4" BSP	40 µ	ALU	↔	VITON
924001463	IL-R 14/60	1 / 4" BSP	60 µ	ALU	↔	VITON
924001483	IL-R 14/80	1 / 4" BSP	80 µ	ALU	↔	VITON
924003813	IL-R 38/10	3 / 8" BSP	10 µ	ALU	↔	VITON
924003829	IL-R 38/25	3 / 8" BSP	25 µ	ALU	↔	VITON
924003843	IL-R 38/40	3 / 8" BSP	40 µ	ALU	↔	VITON
924003863	IL-R 38/60	3 / 8" BSP	60 µ	ALU	↔	VITON
924003883	IL-R 38/80	3 / 8" BSP	80 µ	ALU	↔	VITON
924001813	IL-R 18/10	M18X1,5	10 µ	ALU	↔	VITON
924001829	IL-R 18/25	M18X1,5	25 µ	ALU	↔	VITON
924001843	IL-R 18/40	M18X1,5	40 µ	ALU	↔	VITON
924001863	IL-R 18/60	M18X1,5	60 µ	ALU	↔	VITON
924001883	IL-R 18/80	M18X1,5	80 µ	ALU	↔	VITON
924001213	IL-R 12/10	1 / 2" BSP	25 µ	ALU	↔	VITON
924001229	IL-R 12/25	1 / 2" BSP	25 µ	ALU	↔	VITON
924001243	IL-R 12/40	1 / 2" BSP	40 µ	ALU	↔	VITON
924001263	IL-R 12/60	1 / 2" BSP	60 µ	ALU	↔	VITON
924001283	IL-R 12/80	1 / 2" BSP	80 µ	ALU	↔	VITON
924001416	IL 14/10	1 / 4" BSP	10 µ	ALU	→	NBR 90SH
924001431	IL 14/25	1 / 4" BSP	25 µ	ALU	→	NBR 90SH
924001446	IL 14/40	1 / 4" BSP	40 µ	ALU	→	NBR 90SH
924001466	IL 14/60	1 / 4" BSP	60 µ	ALU	→	NBR 90SH
924001486	IL 14/80	1 / 4" BSP	80 µ	ALU	→	NBR 90SH
924003816	IL 38/10	3 / 8" BSP	10 µ	ALU	→	NBR 90SH
924003831	IL 38/25	3 / 8" BSP	25 µ	ALU	→	NBR 90SH
924003846	IL 38/40	3 / 8" BSP	40 µ	ALU	→	NBR 90SH
924003866	IL 38/60	3 / 8" BSP	60 µ	ALU	→	NBR 90SH
924003886	IL 38/80	3 / 8" BSP	80 µ	ALU	→	NBR 90SH
924001816	IL 18/10	M18X1,5	10 µ	ALU	→	NBR 90SH
924001831	IL 18/25	M18X1,5	25 µ	ALU	→	NBR 90SH
924001846	IL 18/40	M18X1,5	40 µ	ALU	→	NBR 90SH
924001866	IL 18/60	M18X1,5	60 µ	ALU	→	NBR 90SH
924001886	IL 18/80	M18X1,5	80 µ	ALU	→	NBR 90SH
924001216	IL 12/10	1 / 2" BSP	10 µ	ALU	→	NBR 90SH
924001231	IL 12/25	1 / 2" BSP	25 µ	ALU	→	NBR 90SH
924001247	IL 12/40	1 / 2" BSP	40 µ	ALU	→	NBR 90SH
924001267	IL 12/60	1 / 2" BSP	60 µ	ALU	→	NBR 90SH
924001287	IL 12/80	1 / 2" BSP	80 µ	ALU	→	NBR 90SH
924001417	IL-R 14/10	1 / 4" BSP	10 µ	ALU	↔	NBR 90SH
924001432	IL-R 14/25	1 / 4" BSP	25 µ	ALU	↔	NBR 90SH
924001447	IL-R 14/40	1 / 4" BSP	40 µ	ALU	↔	NBR 90SH
924001467	IL-R 14/60	1 / 4" BSP	60 µ	ALU	↔	NBR 90SH
924001487	IL-R 14/80	1 / 4" BSP	80 µ	ALU	↔	NBR 90SH
924003817	IL-R 38/10	3 / 8" BSP	10 µ	ALU	↔	NBR 90SH
924003832	IL-R 38/25	3 / 8" BSP	25 µ	ALU	↔	NBR 90SH
924003847	IL-R 38/40	3 / 8" BSP	40 µ	ALU	↔	NBR 90SH
924003867	IL-R 38/60	3 / 8" BSP	60 µ	ALU	↔	NBR 90SH
924003887	IL-R 38/80	3 / 8" BSP	80 µ	ALU	↔	NBR 90SH
924001817	IL-R 18/10	M18X1,5	10 µ	ALU	↔	NBR 90SH
924001832	IL-R 18/25	M18X1,5	25 µ	ALU	↔	NBR 90SH
924001847	IL-R 18/40	M18X1,5	40 µ	ALU	↔	NBR 90SH
924001867	IL-R 18/60	M18X1,5	60 µ	ALU	↔	NBR 90SH
924001887	IL-R 18/80	M18X1,5	80 µ	ALU	↔	NBR 90SH
924001217	IL-R 12/10	1 / 2" BSP	25 µ	ALU	↔	NBR 90SH
924001232	IL-R 12/25	1 / 2" BSP	25 µ	ALU	↔	NBR 90SH
924001247	IL-R 12/40	1 / 2" BSP	40 µ	ALU	↔	NBR 90SH
924001267	IL-R 12/60	1 / 2" BSP	60 µ	ALU	↔	NBR 90SH
924001287	IL-R 12/80	1 / 2" BSP	80 µ	ALU	↔	NBR 90SH
924011410	IL 14/10	1 / 4" BSP	10 µ	INOX 316L	→	NBR 70SH
924011425	IL 14/25	1 / 4" BSP	25 µ	INOX 316L	→	NBR 70SH
924011440	IL 14/40	1 / 4" BSP	40 µ	INOX 316L	→	NBR 70SH



Via F. De Pisis, 5 - 42124 Reggio Emilia (Italy)
 Tel. +39 0522 505 911 - Fax +39 0522 514 204
 E-mail: bell@bell.it - Web-Site: www.bell.it - PEC: bell@pec.bell.it

P/N	DESCRIPTION	THREAD	FILTERING	BODY	FLOW	TYPE
924011460	IL 14/60	1 / 4" BSP	60 µ	INOX 316L	→	NBR 70SH
924011480	IL 14/80	1 / 4" BSP	80 µ	INOX 316L	→	NBR 70SH
924013810	IL 38/10	3 / 8" BSP	10 µ	INOX 316L	→	NBR 70SH
924013825	IL 38/25	3 / 8" BSP	25 µ	INOX 316L	→	NBR 70SH
924013840	IL 38/40	3 / 8" BSP	40 µ	INOX 316L	→	NBR 70SH
924013860	IL 38/60	3 / 8" BSP	60 µ	INOX 316L	→	NBR 70SH
924013880	IL 38/80	3 / 8" BSP	80 µ	INOX 316L	→	NBR 70SH
924011810	IL 18/10	M18X1,5	10 µ	INOX 316L	→	NBR 70SH
924011825	IL 18/25	M18X1,5	25 µ	INOX 316L	→	NBR 70SH
924011840	IL 18/40	M18X1,5	40 µ	INOX 316L	→	NBR 70SH
924011860	IL 18/60	M18X1,5	60 µ	INOX 316L	→	NBR 70SH
924011880	IL 18/80	M18X1,5	80 µ	INOX 316L	→	NBR 70SH
924011210	IL 12/10	1 / 2" BSP	10 µ	INOX 316L	→	NBR 70SH
924011225	IL 12/25	1 / 2" BSP	25 µ	INOX 316L	→	NBR 70SH
924011240	IL 12/40	1 / 2" BSP	40 µ	INOX 316L	→	NBR 70SH
924011260	IL 12/60	1 / 2" BSP	60 µ	INOX 316L	→	NBR 70SH
924011280	IL 12/80	1 / 2" BSP	80 µ	INOX 316L	→	NBR 70SH
924011411	IL-R 14/10	1 / 4" BSP	10 µ	INOX 316L	↔	NBR 70SH
924011426	IL-R 14/25	1 / 4" BSP	25 µ	INOX 316L	↔	NBR 70SH
924011441	IL-R 14/40	1 / 4" BSP	40 µ	INOX 316L	↔	NBR 70SH
924011461	IL-R 14/60	1 / 4" BSP	60 µ	INOX 316L	↔	NBR 70SH
924011481	IL-R 14/80	1 / 4" BSP	80 µ	INOX 316L	↔	NBR 70SH
924013811	IL-R 38/10	3 / 8" BSP	10 µ	INOX 316L	↔	NBR 70SH
924013826	IL-R 38/25	3 / 8" BSP	25 µ	INOX 316L	↔	NBR 70SH
924013841	IL-R 38/40	3 / 8" BSP	40 µ	INOX 316L	↔	NBR 70SH
924013861	IL-R 38/60	3 / 8" BSP	60 µ	INOX 316L	↔	NBR 70SH
924013881	IL-R 38/80	3 / 8" BSP	80 µ	INOX 316L	↔	NBR 70SH
924011811	IL-R 18/10	M18X1,5	10 µ	INOX 316L	↔	NBR 70SH
924011826	IL-R 18/25	M18X1,5	25 µ	INOX 316L	↔	NBR 70SH
924011841	IL-R 18/40	M18X1,5	40 µ	INOX 316L	↔	NBR 70SH
924011861	IL-R 18/60	M18X1,5	60 µ	INOX 316L	↔	NBR 70SH
924011881	IL-R 18/80	M18X1,5	80 µ	INOX 316L	↔	NBR 70SH
924011211	IL-R 12/10	1 / 2" BSP	10 µ	INOX 316L	↔	NBR 70SH
924011226	IL-R 12/25	1 / 2" BSP	25 µ	INOX 316L	↔	NBR 70SH
924011241	IL-R 12/40	1 / 2" BSP	40 µ	INOX 316L	↔	NBR 70SH
924011261	IL-R 12/60	1 / 2" BSP	60 µ	INOX 316L	↔	NBR 70SH
924011281	IL-R 12/80	1 / 2" BSP	80 µ	INOX 316L	↔	NBR 70SH
924011412	IL 14/10	1 / 4" BSP	10 µ	INOX 316L	→	VITON
924011427	IL 14/25	1 / 4" BSP	25 µ	INOX 316L	→	VITON
924011442	IL 14/40	1 / 4" BSP	40 µ	INOX 316L	→	VITON
924011462	IL 14/60	1 / 4" BSP	60 µ	INOX 316L	→	VITON
924011482	IL 14/80	1 / 4" BSP	80 µ	INOX 316L	→	VITON
924013812	IL 38/10	3 / 8" BSP	10 µ	INOX 316L	→	VITON
924013827	IL 38/25	3 / 8" BSP	25 µ	INOX 316L	→	VITON
924013842	IL 38/40	3 / 8" BSP	40 µ	INOX 316L	→	VITON
924013862	IL 38/60	3 / 8" BSP	60 µ	INOX 316L	→	VITON
924013882	IL 38/80	3 / 8" BSP	80 µ	INOX 316L	→	VITON
924011812	IL 18/10	M18X1,5	10 µ	INOX 316L	→	VITON
924011827	IL 18/25	M18X1,5	25 µ	INOX 316L	→	VITON
924011842	IL 18/40	M18X1,5	40 µ	INOX 316L	→	VITON
924011862	IL 18/60	M18X1,5	60 µ	INOX 316L	→	VITON
924011882	IL 18/80	M18X1,5	80 µ	INOX 316L	→	VITON
924011212	IL 12/10	1 / 2" BSP	10 µ	INOX 316L	→	VITON
924011227	IL 12/25	1 / 2" BSP	25 µ	INOX 316L	→	VITON
924011242	IL 12/40	1 / 2" BSP	40 µ	INOX 316L	→	VITON
924011262	IL 12/60	1 / 2" BSP	60 µ	INOX 316L	→	VITON
924011282	IL 12/80	1 / 2" BSP	80 µ	INOX 316L	→	VITON
924011413	IL-R 14/10	1 / 4" BSP	10 µ	INOX 316L	↔	VITON
924011429	IL-R 14/25	1 / 4" BSP	25 µ	INOX 316L	↔	VITON
924011443	IL-R 14/40	1 / 4" BSP	40 µ	INOX 316L	↔	VITON
924011463	IL-R 14/60	1 / 4" BSP	60 µ	INOX 316L	↔	VITON
924011483	IL-R 14/80	1 / 4" BSP	80 µ	INOX 316L	↔	VITON



Via F. De Pisis, 5 - 42124 Reggio Emilia (Italy)
Tel. +39 0522 505 911 - Fax +39 0522 514 204
E-mail: bell@bell.it - Web-Site: www.bell.it - PEC: bell@pec.bell.it

P/N	DESCRIPTION	THREAD	FILTERING	BODY	FLOW	TYPE
924013813	IL-R 38/10	3 / 8" BSP	10 µ	INOX 316L	↔	VITON
924013829	IL-R 38/25	3 / 8" BSP	25 µ	INOX 316L	↔	VITON
924013843	IL-R 38/40	3 / 8" BSP	40 µ	INOX 316L	↔	VITON
924013863	IL-R 38/60	3 / 8" BSP	60 µ	INOX 316L	↔	VITON
924013883	IL-R 38/80	3 / 8" BSP	80 µ	INOX 316L	↔	VITON
924011813	IL-R 18/10	M18X1,5	10 µ	INOX 316L	↔	VITON
924011829	IL-R 18/25	M18X1,5	25 µ	INOX 316L	↔	VITON
924011843	IL-R 18/40	M18X1,5	40 µ	INOX 316L	↔	VITON
924011863	IL-R 18/60	M18X1,5	60 µ	INOX 316L	↔	VITON
924011883	IL-R 18/80	M18X1,5	80 µ	INOX 316L	↔	VITON
924011213	IL-R 12/10	1 / 2" BSP	10 µ	INOX 316L	↔	VITON
924011229	IL-R 12/25	1 / 2" BSP	25 µ	INOX 316L	↔	VITON
924011243	IL-R 12/40	1 / 2" BSP	40 µ	INOX 316L	↔	VITON
924011263	IL-R 12/60	1 / 2" BSP	60 µ	INOX 316L	↔	VITON
924011283	IL-R 12/80	1 / 2" BSP	80 µ	INOX 316L	↔	VITON

Filter marking:

The in-line filters of the 500 Series, like all BELL filters, are marked with type, brand, connection, production date and operator. Customized marking on demand.



All BELL products are designed and manufactured within BELL SRL in via F. De Pisis, 5 - 42124 Reggio Emilia (RE) - Italy, according to the Quality Standards that distinguish the MADE IN ITALY from the Rest of the World.