



HP series

HP-LEVER

Air-hydraulic pump, single acting, manually operated, ergonomic handle, oil flow (l / min): 0,8 / 0,1-1000bar - 0,8 / 0,2-700bar - 1,4 / 0,8-500bar - 2,4 / 0,5-350bar - 2,1 / 0,6-250bar

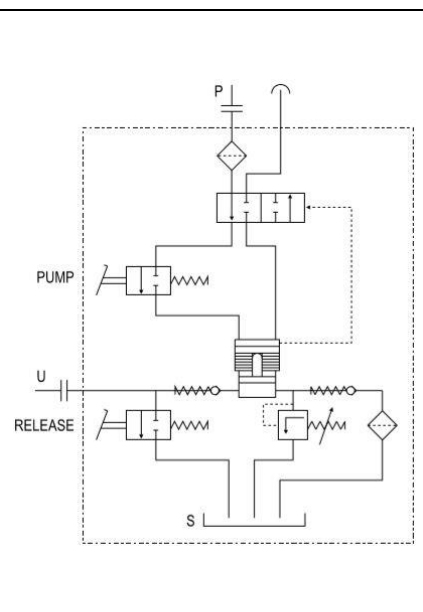
Series: HP

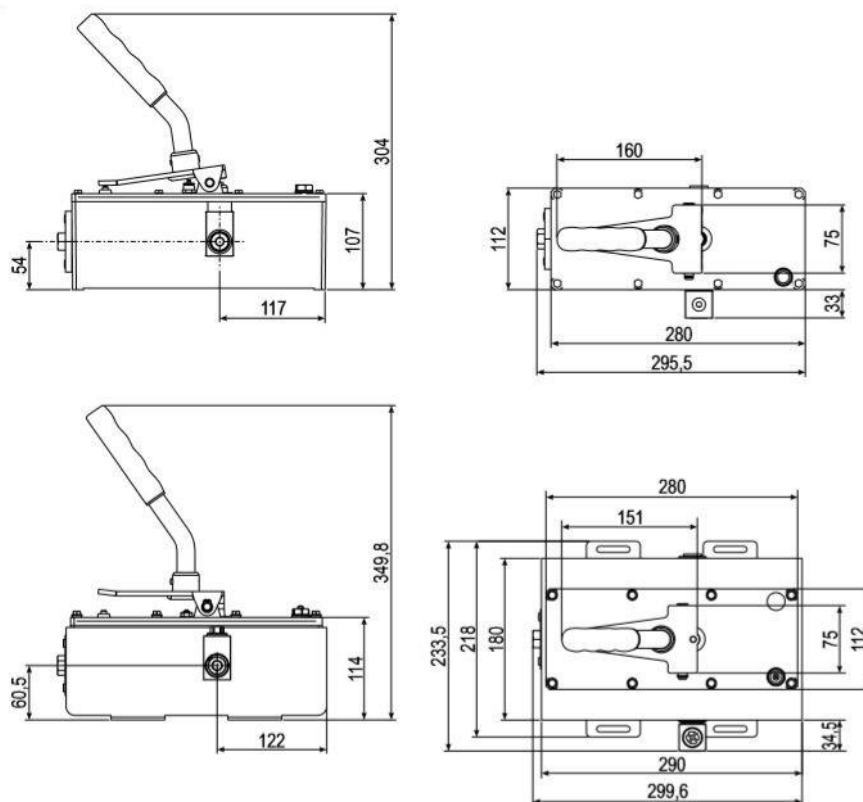
Product line: Industrial tools, bench machining, crimpers, hydraulic presses

- Operated manually through lever
- Ergonomic lever handle for a safe and comfortable grip
- Pneumatic build up, hold and release function
- No effort on the lever (pneumatic energy source)
- Single-acting cylinder compatibility (double-acting with optional in-line hand valve)
- Compact and sturdy construction for heavy duty and long durability.
- Easy maintenance.
- No air lubricated required.
- Connectable to the normal pneumatic network
- Versatile use in both horizontal and vertical positions
- Helical vent screw on the lid for tank ventilation during use
- Preset safety valve on the cover against any overload in the pump
- Externally adjustable oil pressure relief valve against any overload
- Rotating oil port for easy connection to the hydraulic system and improved mobility
- Slots on the base support for easy installation and fixing to the system
- Lightweight
- Low noise (80dBa)
- 1.4 L tank capacity for small and large cylinders (other versions available SL 2.5l and XL 4L)

Technical features and Series comparison:

| | | | | | |
|--|--|-----|-----|-----|------|
| Max working pressure (bar): | 250 | 350 | 500 | 700 | 1000 |
| Cylinder compatibility: | Single effect Double effect through in line hand valve (optional) | | | | |
| Oil tank capacity (L): | 1,4 - 2,5 - 4 | | | | |
| Usable oil (L): | 1,1 - 2,15 - 3,5 | | | | |
| Max flow rate at nominal pressure (l / min): | 0,6 | 0,5 | 0,8 | 0,2 | 0,1 |
| Oil flow without load (l / min): | 2,1 | 2,4 | 1,4 | 0,8 | 0,8 |
| Oil flow with load (l / min): | 0,6 | 0,5 | 0,8 | 0,2 | 0,1 |
| Oil port: | 3/8"NPTF (G3/8" - G1/4") | | | | |
| Air port: | G1/4" | | | | |
| Valve function: | Advance / hold / release | | | | |
| Valve operation: | Manual | | | | |
| Energy source: | Air | | | | |
| Pneumatic range (bar): | 5/8-10max | | | | |
| Average air consumption (l / min): | 345 | | 300 | 330 | 400 |
| Noise (dBA): | 80 | | | | |
| Weight (Kg): | 5,3 | | | | |



Size:**To order:**

- P/N 913201950 HP1000 LEVER 1000BAR BELL
- P/N 913201240 HP700 LEVER 700BAR 1,4L BELL
- P/N 913201860 HP500 LEVER 500BAR BELL
- P/N 9132021XX HP350 LEVER 350BAR BELL
- P/N 913201400 HP250 LEVER 250BAR BELL

Spare parts:

- SEAL KIT HP

Accessories:

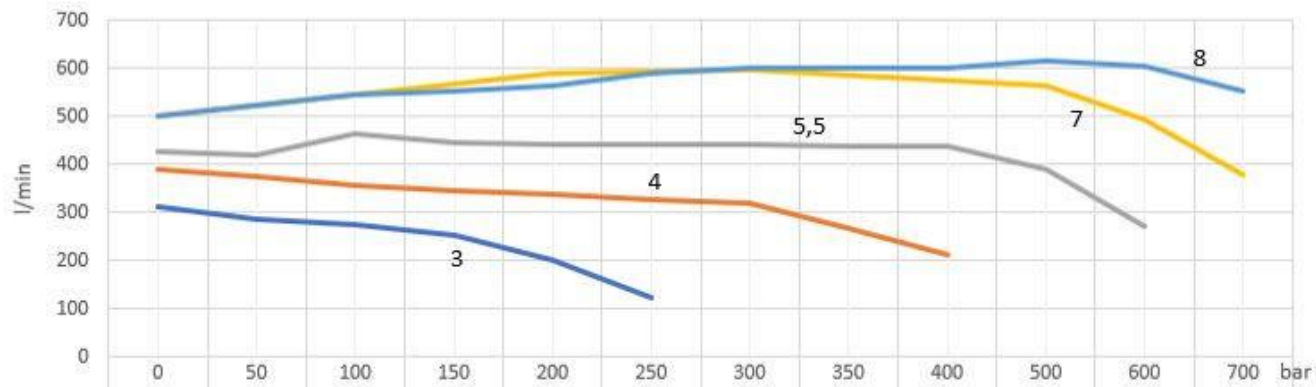
- Oversized tanks SL / XL
- Delivery valve straight fitting
- Hose Flex
- In line hand valve for double acting cylinders



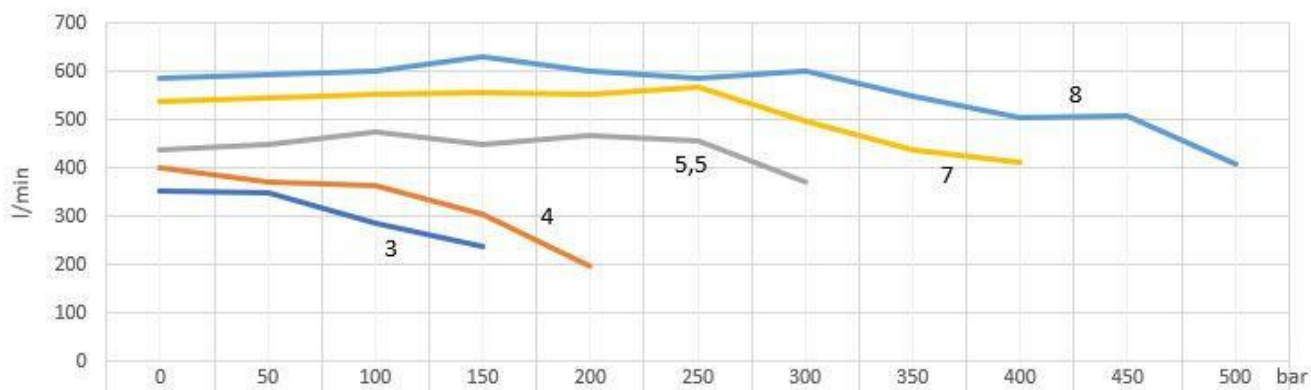
All BELL products are designed and manufactured within BELL SRL in via F. De Pisis, 5 - 42124 Reggio Emilia (RE) - Italy, according to the Quality Standards that distinguish the MADE IN ITALY from the Rest of the World.

Diagrammi consumo aria (l/min) - (air consumption):

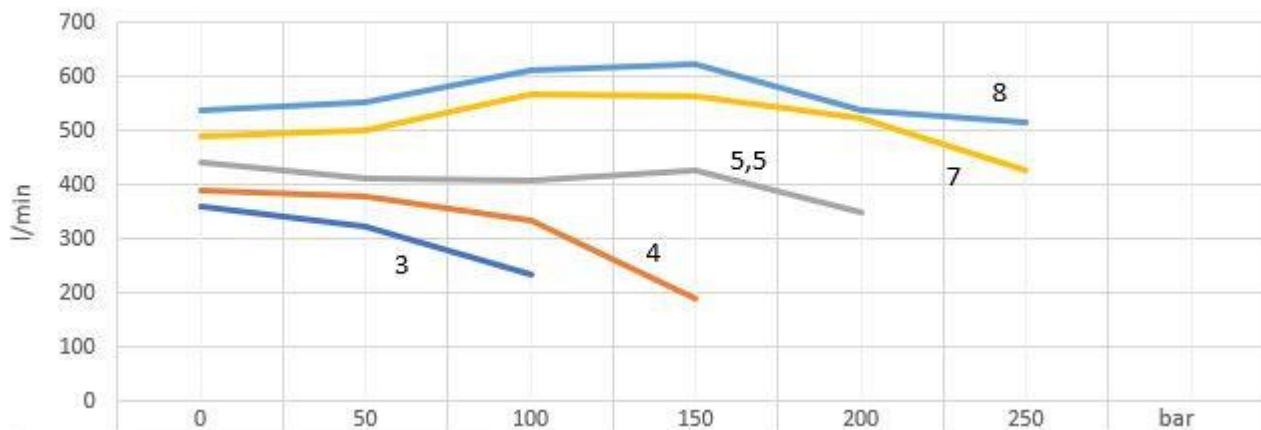
Air Consume HP700



Air Consume HP500

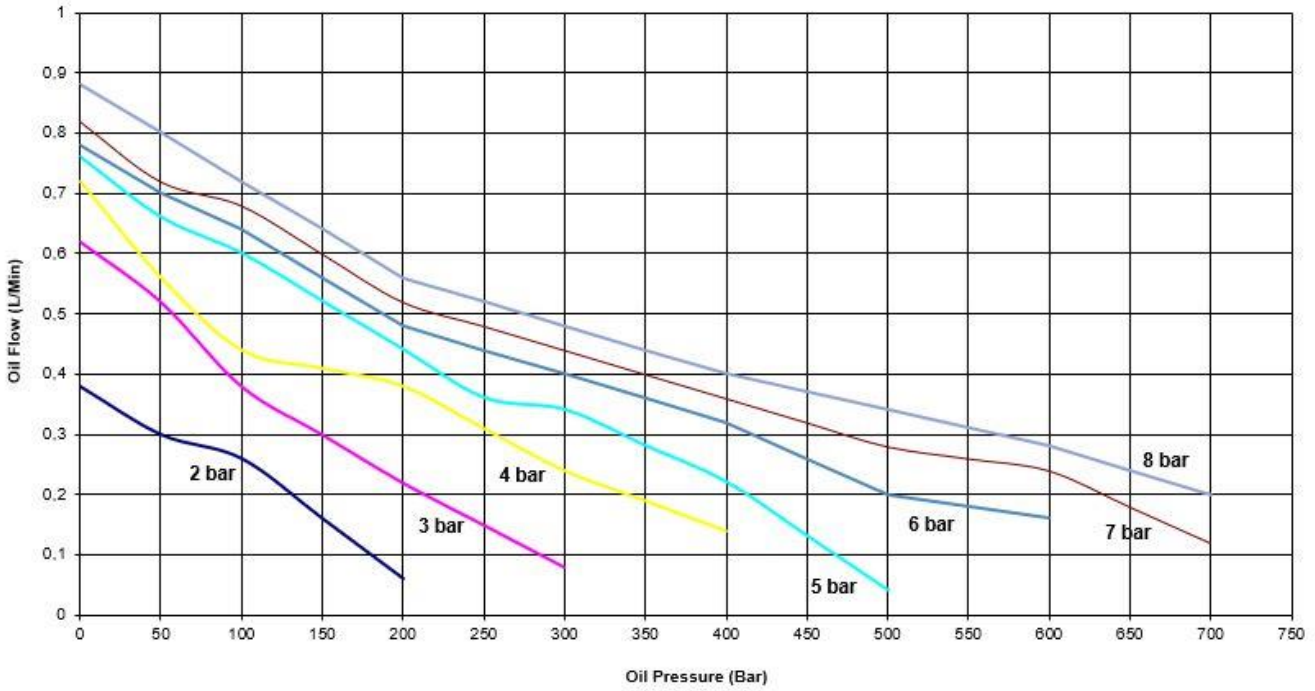


Air Consume HP250



Diagrammi portata (l/min) - (oil flow):

HP 700 - Oil Flow Diagram



HP500

HP250

