




### HP-RC

**Air-hydraulic pump, single acting, pneumatically operated, oil flow (l / min): 0,8 / 0,1-1000bar - 0,8 / 0,2-700bar - 1,4 / 0,8-500bar - 2,4 / 0,5-350bar - 2,1 / 0,6-250bar**

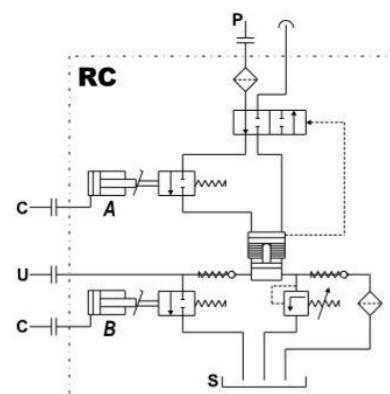
#### Series: HP

Product line: Industrial tools, clamping systems, plants

- Pneumatic piston drive (optional pneumatic pilot) with brass pin
- Single-acting cylinder compatibility (double-acting with optional in-line hand valve)
- Compact and sturdy construction for heavy duty and long durability.
- Easy maintenance.
- No air lubricated required.
- Connectable to the normal pneumatic network
- Versatile use in both horizontal and vertical positions
- Helical vent screw on the lid for tank ventilation during use
- Preset safety valve on the cover against any overload in the pump
- Externally adjustable oil pressure relief valve against any overload
- Rotating oil port for easy connection to the hydraulic system and improved mobility
- Slots on the base support for easy installation and fixing to the system
- Lightweight
- Low noise (80dBa)
- 1.4 L tank capacity for small and large cylinders (other versions available SL 2.5l and XL 4L)

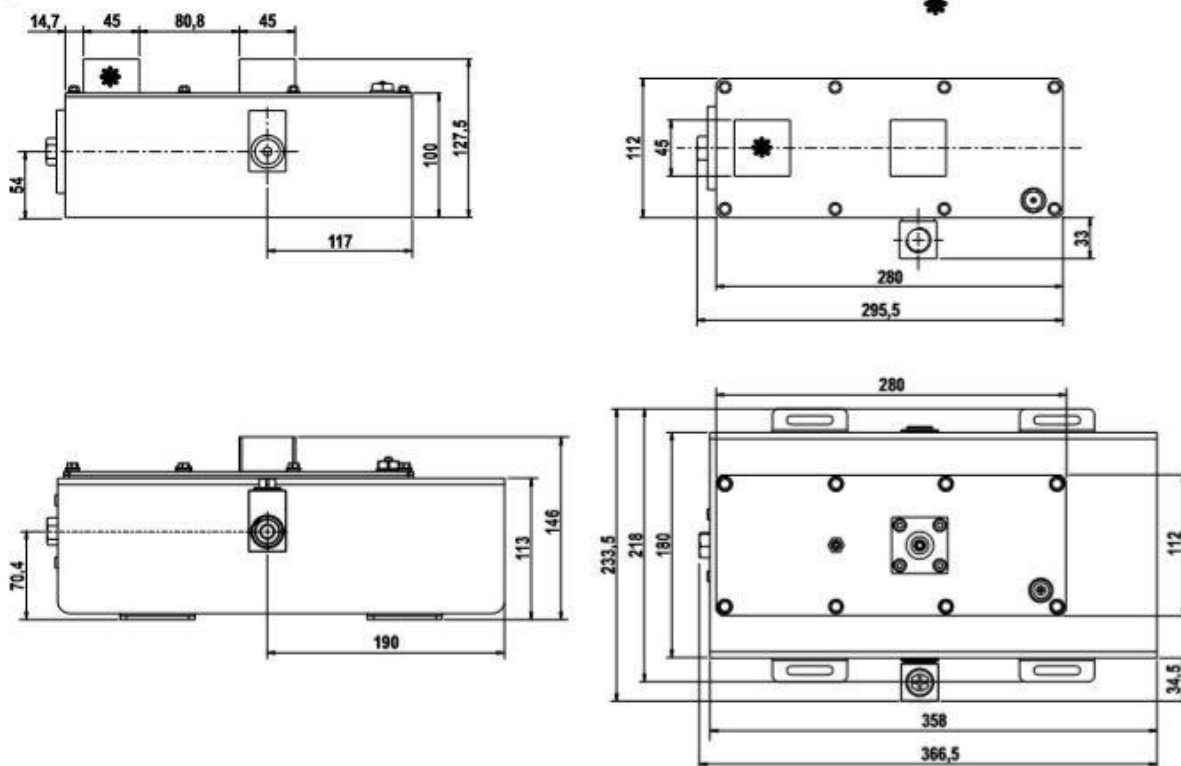
#### Technical features and Series comparison:

Max working pressure (bar):	250	350	500	700	1000
Cylinder compatibility:	Single effect Double effect through in line hand valve (optional)				
Oil tank capacity (L):	1,4 – 2,5 – 4				
Usable oil (L):	1,1 – 2,15 – 3,5				
Max flow rate at nominal pressure (l / min):	0,6	0,5	0,8	0,2	0,1
Oil flow without load (l / min):	2,1	2,4	1,4	0,8	0,8
Oil flow with load (l / min):	0,6	0,5	0,8	0,2	0,1
Oil port:	3/8"NPTF (G3/8" – G1/4")				
Air port:	G1/4"				
Valve function:	Advance / hold / release				
Valve operation:	Pneumatic				
Energy source:	Air				
Pneumatic range (bar):	5/8-10max				
Average air consumption (l / min):	345		300	330	400
Noise (dBA):	80				
Weight (Kg):	5,3				



## Size:

Presente solo sul modello "RC"



## To order:

- P/N 913201660 HP1000 RC 1000BAR BELL
- P/N 913200090 HP700 RC 700BAR 1,4L BELL
- P/N 913200200 HP500 RC 500BAR BELL
- P/N 9132021XX HP350 RC 350BAR BELL
- P/N 913200100 HP250 RC 250BAR BELL

## Spare parts:

- SEAL KIT HP RC

## Accessories:

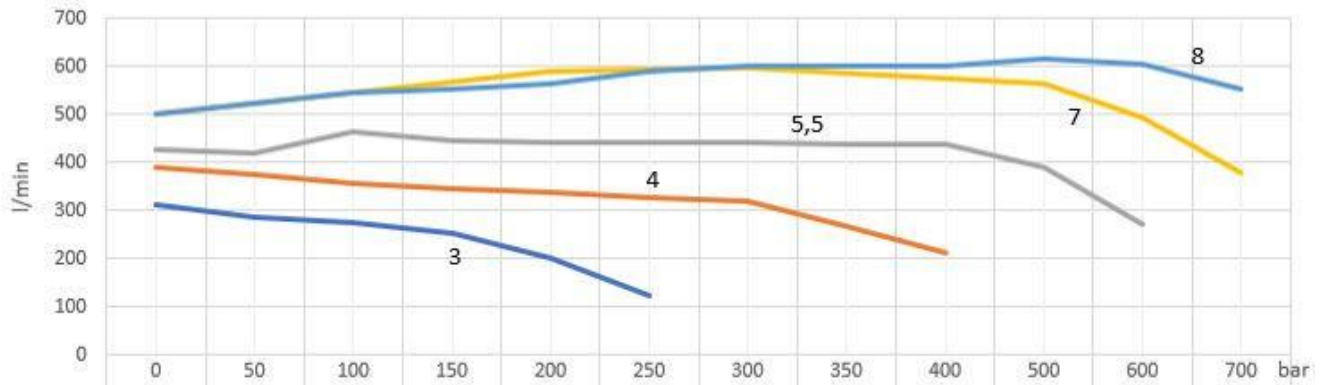
- Oversized tanks SL / XL
- Delivery valve straight fitting
- Hose Flex
- In line hand valve for double acting cylinders



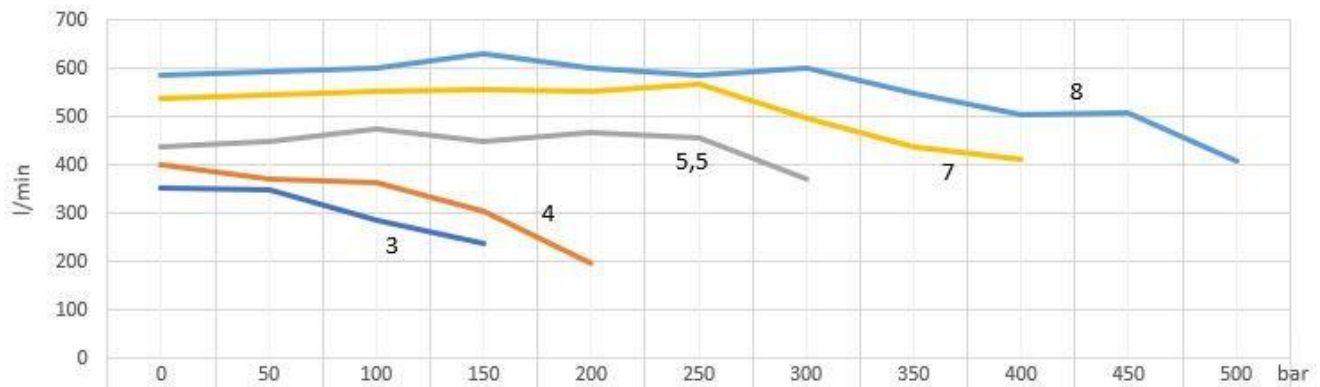
All BELL products are designed and manufactured within BELL SRL in via F. De Pisis, 5 - 42124 Reggio Emilia (RE) - Italy, according to the Quality Standards that distinguish the MADE IN ITALY from the Rest of the World.

**Diagrammi consumo aria (l/min) - (air consumption):**

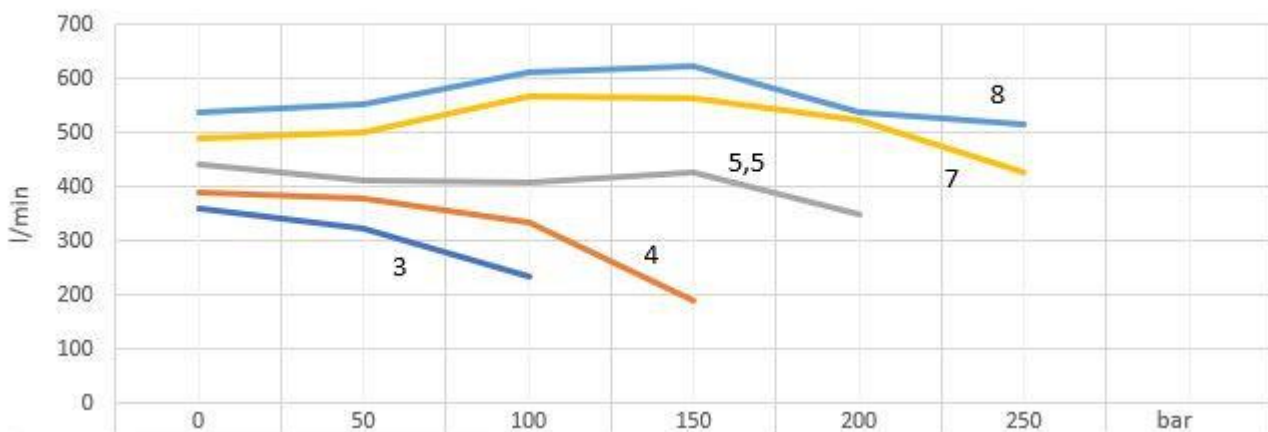
**Air Consume HP700**



**Air Consume HP500**

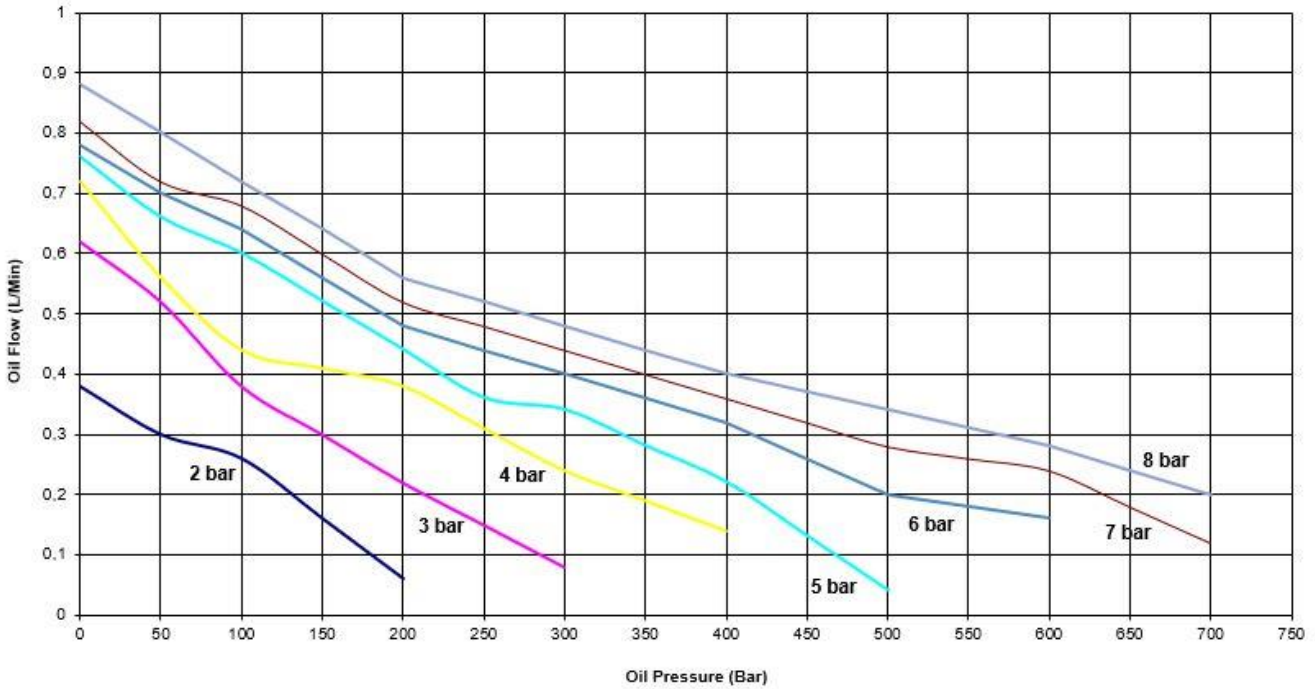


**Air Consume HP250**

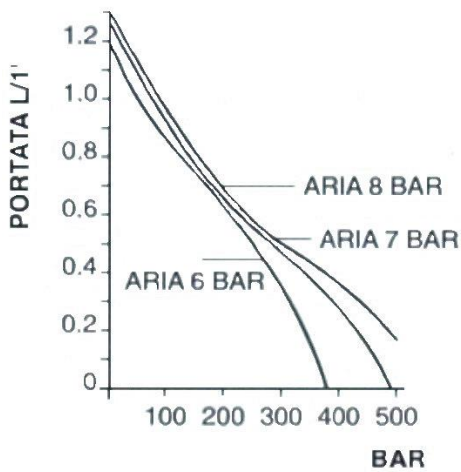


**Diagrammi portata (l/min) - (oil flow):**

**HP 700 - Oil Flow Diagram**



**HP500**



**HP250**

