



IN-LINE HAND VALVE 700BAR

In-line hand valve, manually operated, 4-way block, working pressure 700bar

Series: System Parts

Product line: Industrial tools, clamping systems, Pumps and Power Units, Filters, Cylinders, Industrial Vehicles, Hydraulic Circuits

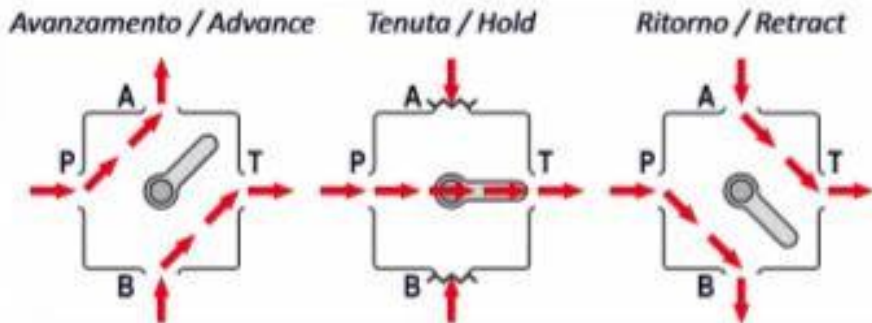
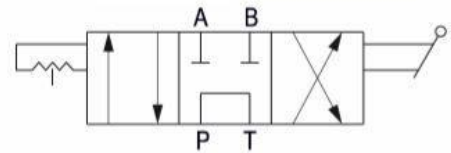
- Manual operation with 3-position lever (A, T, B)
- 4-way valve block
- Open center
- Compatibility with single and double acting applications
- O-Ring seals in NBR 90SH
- Different flow configurations
- Body and valve parts in treated and anodized aluminum
- Materials resistant to stress even in heavy working conditions
- Anti-corrosion treatments for long durability over time

Main fields of application:

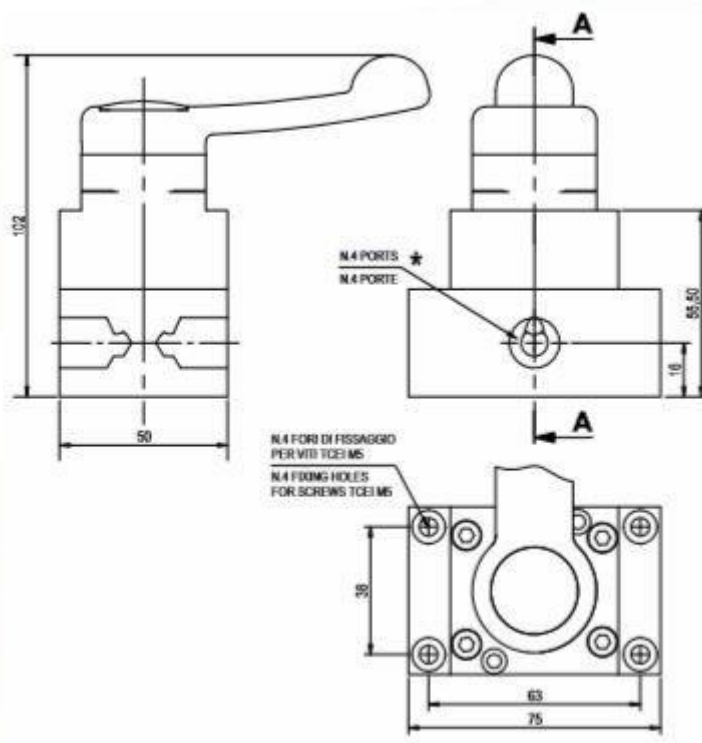
BELL's in-line hand valve is useful for converting single-acting applications into double-acting. It can be combined with HFP, UP and HP Series pumps and with any other hydraulic application where it is required to divert the flow to one or more applications.

Technical features:

Max working pressure (bar):	700
Max oil flow (l/min):	10
Valve operation:	manual
Layout	In-line
Center:	open
Seals:	NBR 90SH
Weight (kg):	0,6



Size:



To order:

- 990100040 HAND VALVE 4/3 700BAR G3/8
- 990100050 HAND VALVE 4/3 700BAR G1/4
- 990100060 HAND VALVE 4/3 700BAR 3/8NPT
- 990100070 HAND VALVE 4/3 700BAR 1/4NPT
- 990100090 HAND VALVE 4/3 700BAR C.C. A&B>T

- Oil ports G3/8"
- Oil ports G1/4"
- Oil ports 3/8"NPT
- Oil ports 1/4"NPT
- Center closed (P) / A & B in T



All BELL products are designed and manufactured within BELL SRL in via F. De Pisis, 5 - 42124 Reggio Emilia (RE) - Italy, according to the Quality Standards that distinguish the MADE IN ITALY from the Rest of the World.