



## CAB TILTING SYSTEM

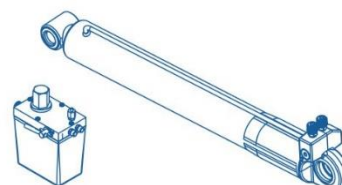
### MHP HYDRAULIC PUMPS

*Hand operated hydraulic pumps for cabin tilting systems, IVECO, single and double effect*

Series: IVECO

Product line: hydraulic pumps, cab tilting, automotive, truck line, Iveco aftermarket, livestock, agriculture, industry, transport, industrial vehicles

- Manual operation
- Compact design
- Working pressure up to 420bar
- Adjustable relief valve
- 440 & 580 cm<sup>3</sup> oil tanks
- Temperature range -40°C +80°C
- Oil flow 4cm<sup>3</sup>/stroke
- Resistance to corrosion and atmospheric agents
- Oil fill and level control cap
- <weight 2,5Kg

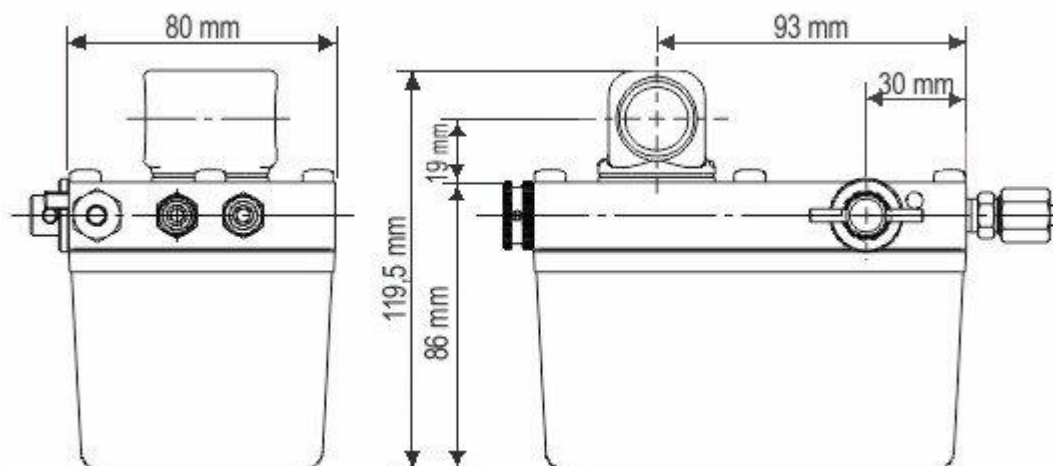


Technical features:

Valve type:	Manual
Max working pressure (bar):	420
Cylinder compatibility	Single/Double effect
Working temperature (°C):	Min - 30 -40 (only with UNIVIS HVI 13/26) Max std+ 80
Max relief valve setting (bar):	280
Oil capacity (cm <sup>3</sup> ):	440/580
Oil flow/Stroke (cm <sup>3</sup> ):	4 ±10%
Check valve:	2/4 vie
Paint:	grigio IC444 IS 18-1600
Weight (kg):	≈ 2,5



**Size:**



**Series comparison:**

Type	#BELL	#OEM	#CROSS REF	Nominal pressure (bar)	Relief valve (bar)	Oil flow Per stroke (cm <sup>3</sup> )	Oil capacity (cm <sup>3</sup> )	Check valve	Weight (kg)
MHP 420*4/580	<b>929000010</b>	504173050	41241683 41211399	420	280	4	580	2/4 vie	2,6
MHP 420*4/500	<b>929000020</b>	99458304	500430618	420	370	4	500	2/4 vie	2,5
MHP 420*4/440	<b>929000050</b>	504184573	500316981 98401781 99458298	420	420	4	440	2/4 vie	2,5
MHP 420*4/440 E4	<b>929000090</b>	504172822	504162344 98411167	420	420	4	440	2/4 vie	2,5
MHP 420*4/580 E4	<b>929000100</b> <b>929000102</b>	504173053	41281222	420	370	4	580	2/4 vie	2,6
MHP 370*4/440	<b>929000190</b>	1908460	4854244 42558828	370	370	4	440	2/4 vie	2,5
EHP 360	<b>933000021</b>	504172827	500316940 500316939 98478124 99461432	440	370	/	/	/	2,8
EHP 360+TYCO	<b>933000023</b>	5801549520		440	370	/	/	/	2,8



**All BELL products are designed and manufactured within BELL SRL in via F. De Pisis, 5 - 42124 Reggio Emilia (RE) - Italy, according to the Quality Standards that distinguish the MADE IN ITALY from the Rest of the World.**