



## **Ultra**AirPump

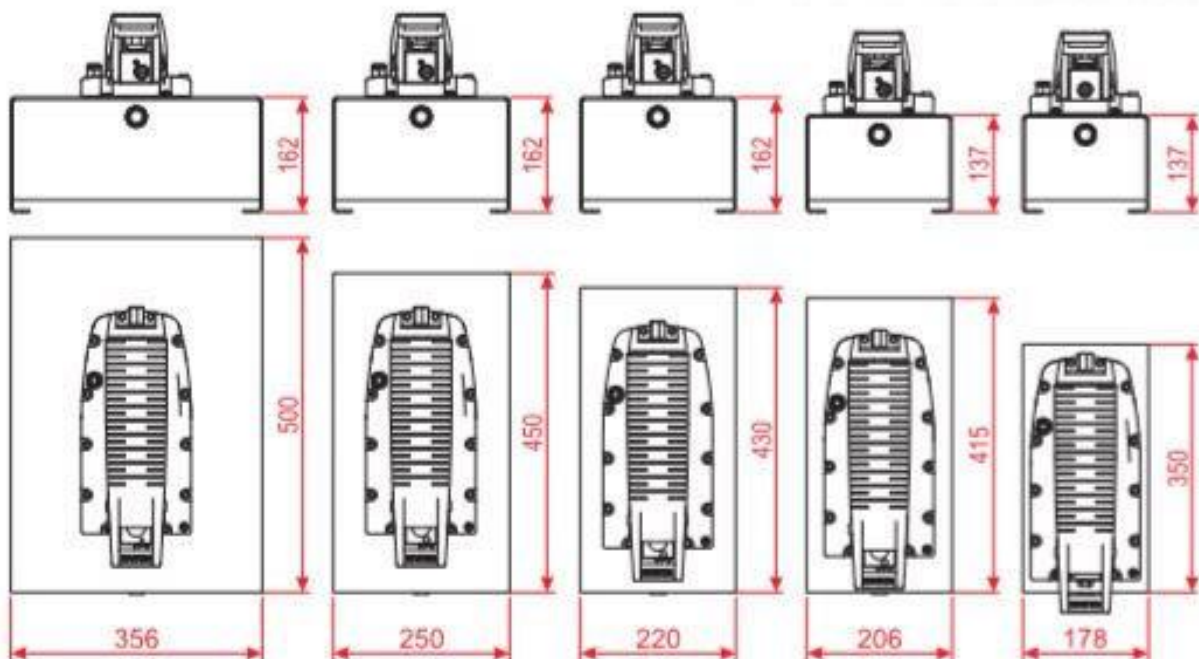
### **PAINTED STEEL TANKS**

*Powder coated steel tanks for UP Series pumps of various capacities and sizes*

#### **Product line: UP Series, air-hydraulic pumps**

- Made of treated steel
- Laser cutting, bending, welding, washing / degreasing and anti-corrosion treatment
- Powder coating (UNI ISO 12944) BLACK RAL 9005 thickness 80/100µm
- High quality strength
- Excellent wear resistance
- High dimensional stability
- Excellent resistance to temperature and deformation
- Side porthole for oil level indicator in Pyrex
- Various oil capacities (5-7-10-12-20 liters)
- Other RAL colors on demand (MOQ required)

#### **Size:**





Via F. De Pisis, 5 - 42124 Reggio Emilia (Italy)  
Tel. +39 0522 505 911 - Fax +39 0522 514 204  
E-mail: [bell@bell.it](mailto:bell@bell.it) - Web-Site: [www.bell.it](http://www.bell.it) - PEC: bell@pec.bell.it

**To order:**

305170110	TANK UP 5LT BLACK R9005
305170120	TANK UP 5LT RED R2002
305170125	TANK UP 5LT RED R3000
305170130	TANK UP 7LT BLACK R9005
305170140	TANK UP 10LT BLACK R9005
305170150	TANK UP 12LT BLACK R9005
305170160	TANK UP 20LT BLACK R9005



**Note:**

In case of replacing the standard 2,4L tank with any of the steel tanks, it is also necessary to purchase the TANK CONVERSION KIT which includes the cover / tank gasket for oversized steel tanks (139220116) and 12 self-drilling screws M5x15 (E26200566)



**All BELL products are designed and manufactured within BELL SRL in via F. De Pisis, 5 - 42124 Reggio Emilia (RE) - Italy, according to the Quality Standards that distinguish the MADE IN ITALY from the Rest of the World.**