

## Ultra Air Pump

### UPHC

**Air-hydraulic pump, independent and simultaneous hydraulic locks, single acting, Cetop3, manual / pneumatic drive, oil flow 0.7 l / min (250bar) - 0.25 l / min (400bar)**

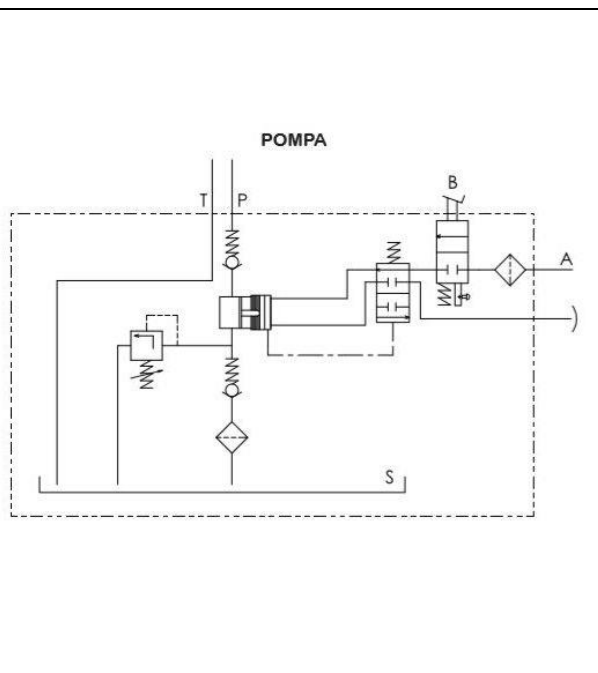
#### Series: UP

**Product line: Industrial tools, clamping systems, actuators, complex hydraulic systems, automations**

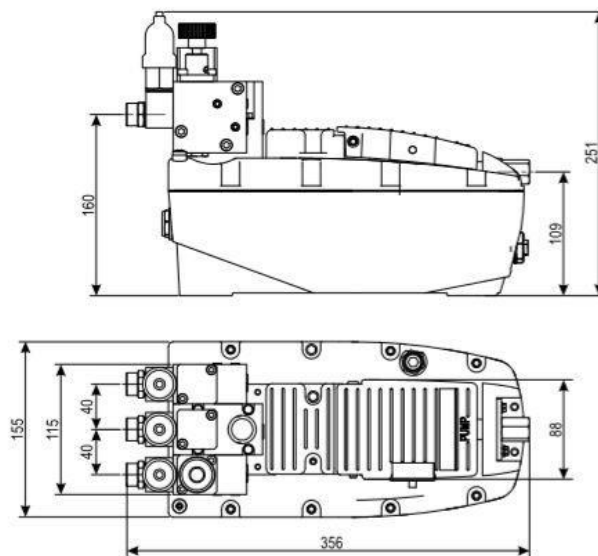
- Two-position pedal (advance / hold) lockable in the forward position
- Single-acting cylinder compatibility (double-acting cylinders with optional in-line valve)
- Modular central control system
- Mechanical or pneumatic modular valve blocks up to 5 simultaneous and independent uses
- Compact and sturdy construction for heavy duty and long lifeFacile manutenzione
- No air lubricated required
- It works through the normal pneumatic network
- Versatile use in both vertical and horizontal positions
- Vent screw on the lid for tank ventilation during use
- Relief safety valve on the lid
- Maximum oil pressure valve adjustable from the outside to protect the circuit components
- Removable pyrex porthole level indicator for maximum easy refill
- Slots on the base support for easy installation onto the application
- Lightweight
- Low noise (75dBa)
- Various tank capacities (2.4 - 5 - 10 - 20) L for small and large cylinders

#### Technical features:

Max working pressure (bar):	250	400
Cylinder compatibility:	Single acting Double acting through in-line hand valve (optional)	
Tank capacity (L):	2,4 - 5 - 7 - 10	
Usable oil (L):	2,1 - 4,65 - 6,9 - 9,5	
Max flow rate at nominal pressure (l/min):	0,7	0,25
Oil flow without load (l/min):	2,6	2,5
Oil flow with load (l/min):	0,7	0,25
Oil port:	3/8"NPTF (G3/8" - G1/4")	
Air port:	G1/4"	
Valve function:	Advance/Hold	
Valve operation:	Automatic/Manual	
Modular valve operation:	Release	
Modular valve drive:	Manual/Pneumatic	
Energy source:	Air	
Pneumatic range (bar):	2,8/8,3 (10 max)	
Average air consumption (l/min):	390	440
Noise (dBA):	75	
Weight (Kg):	10	



## Size:

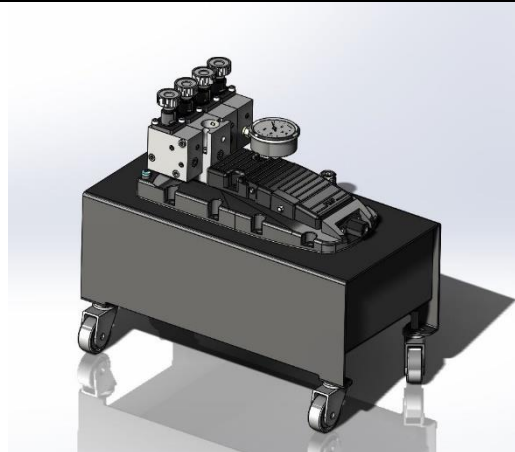


## Series comparison:

Type	Max pressure (bar)	Cylinder	Tank (L)	Usable oil (L)	Oil flow unload (l/min)	Oil flow load (l/min)	Air range (bar)	Air consump (l/min)	Weight (kg)
UPHC252	250	S.E.	2,4	2,1	0,7	2,5	2,8/10	390	10
UPHC402	400	S.E.	2,4	2,1	0,25	2,5	2,8/10	440	10
UPHC410	420	S.E.	10	9,6	0,25	2,5	2,8/10		22,8

## To order:

- P/N 915260020 UPHC 252 1M 250BAR BELL
- P/N 915260010 UPHC 252 1P 250BAR BELL
- P/N 915260030 UPHC 402 4P 320BAR BELL
- P/N 915360020 UPHC 410 4M 420BAR BELL
- P/N 830150610 MANUAL VALVE KIT
- P/N 830150600 PNEUMATIC VALVE KIT
- P/N 830150620 PRESSURE SWITCH KIT



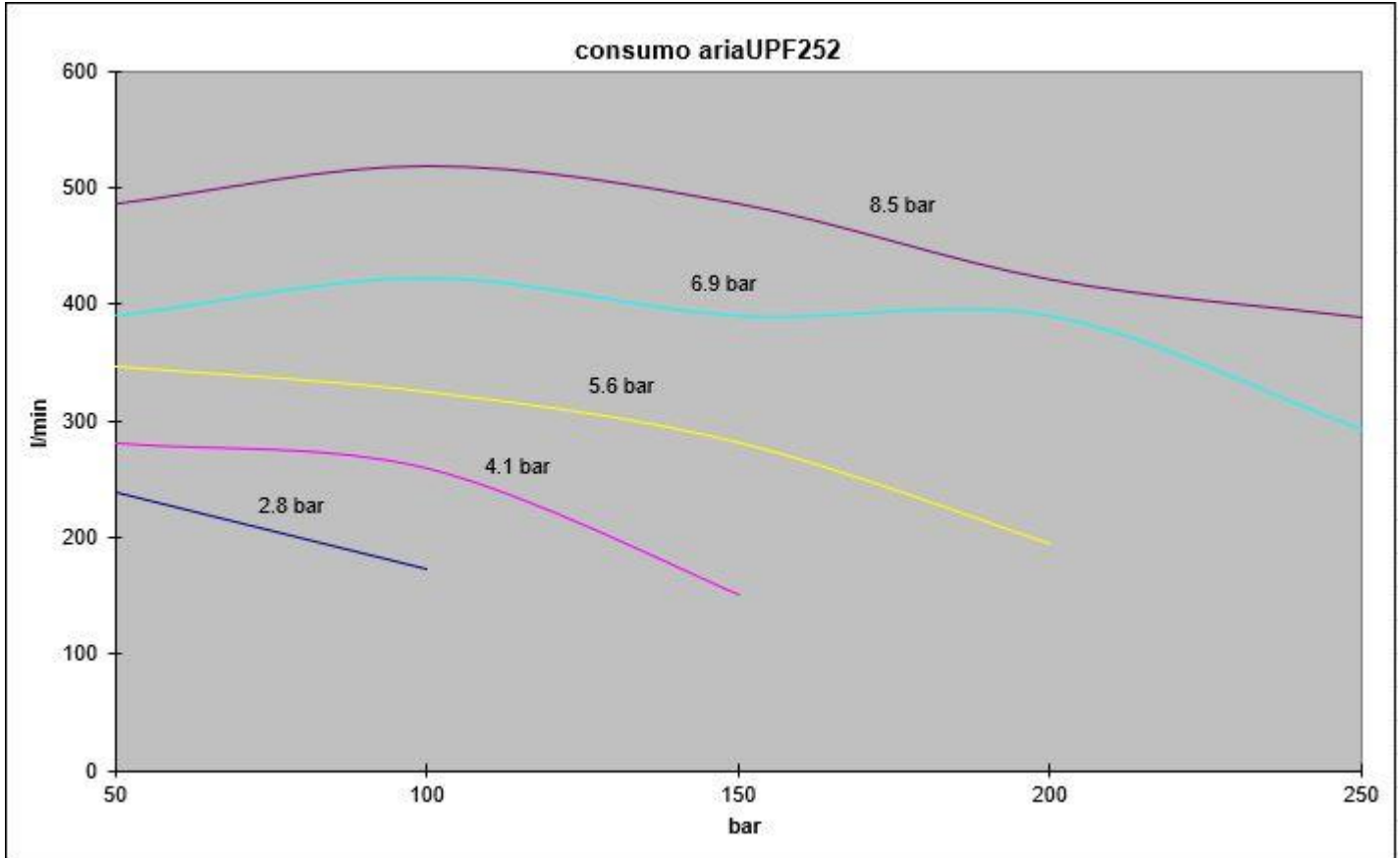
## Accessori:

- Oversize tank
- Fixing plates
- Fittings
- Hose Flex
- Level switch
- In-line hand valve for double-acting cylinders

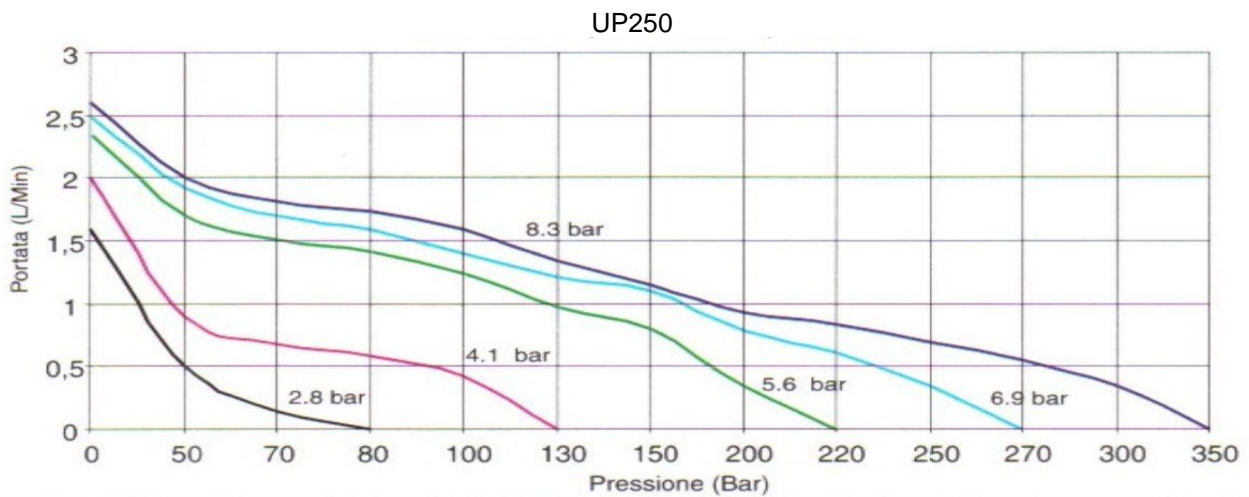
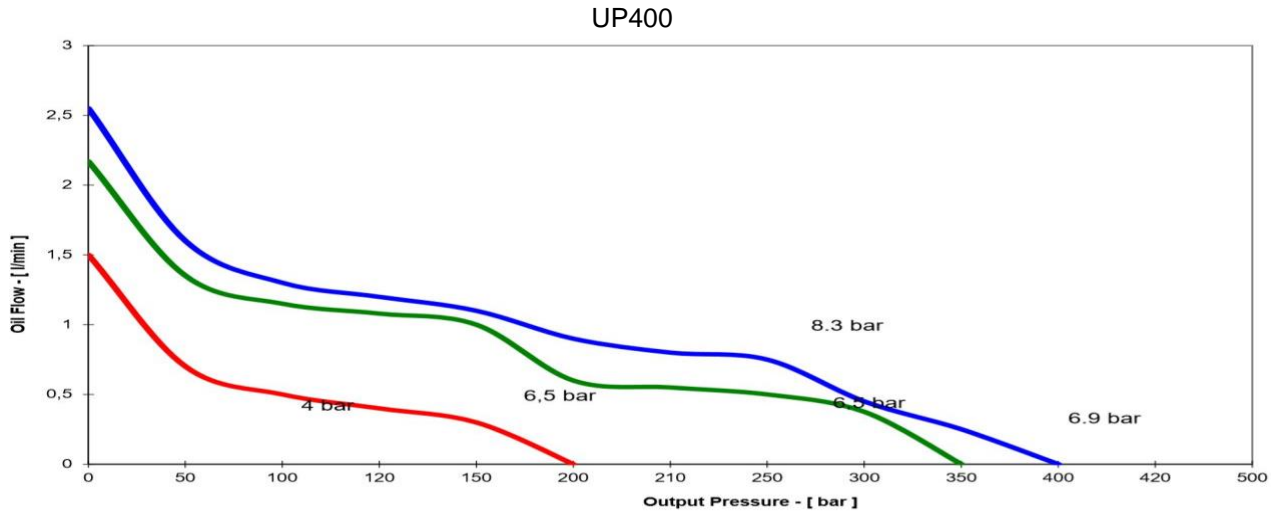
## Ricambi:

- SEAL KIT UPHC

**Diagrammi consumo aria (l/min) - (air consumption):**



**Diagrammi portata (l/min) - (oil flow):**



**All BELL products are designed and manufactured within BELL SRL in via F. De Pisis, 5 - 42124 Reggio Emilia (RE) - Italy, according to the Quality Standards that distinguish the MADE IN ITALY from the Rest of the World.**