

## Ultra Air Pump

### UPMD725-RC

*Air hydraulic pump, double pneumatic motor, double acting, pneumatic RC drive, lever distributor valve (4/3), pressure gauge, tank capacity 10L, oil flow 0.26 l / min at 700bar (2nd stage)*

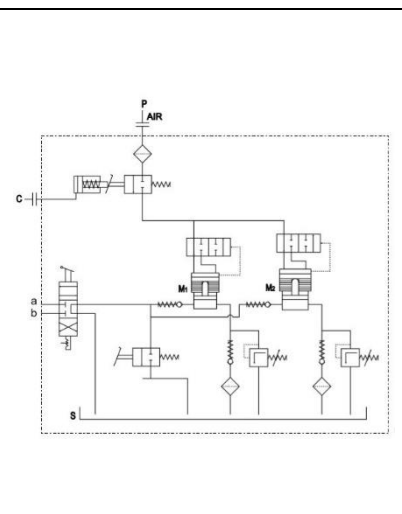
#### Series: UP

Product line: Industrial tools, large systems, lifting, clamping systems, large cylinders, automations

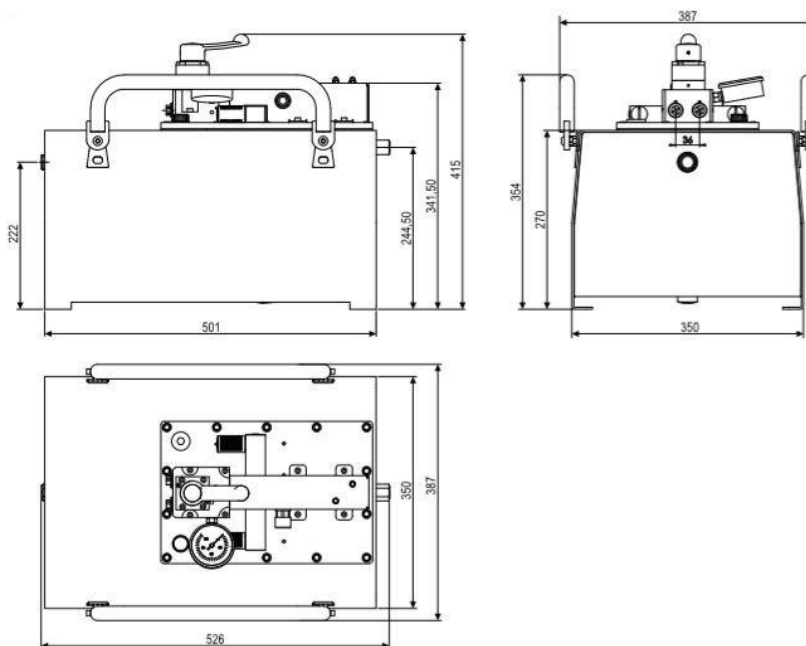
- Pneumatic RC operation (advance)
- CETOP 3 standard connection
- Hand valve 4/3 700bar in treated aluminum installed on Cetop
- Ø63mm/0-1000bar pressure gauge standard
- Double acting cylinder compatibility (single acting cylinder allowed)
- Tilting handle for easy grip during transport
- Secondary outport for oil return to the tank
- Double air motor for large oil flows (l/min) and high working pressures (700 bar)
- Compact and sturdy construction for heavy duty and long durability
- Easy Maintenance
- No air lubricated required
- It works through the normal pneumatic network
- Filling oil cap with ventilation during use
- Internal oil pressure relief valve to protect the circuit parts
- Removable pyrex oil level indicator for maximum easy refill
- Slots on the base support for easy fix on the application
- Lightweight
- Double silencer for maximum comfort and safety during use (85dBa)
- 25 L tank capacity for large cylinders
- Parking feet or pivoting wheels (optional)

#### Technical features:

Max working pressure (bar):	700
Cylinder compatibility:	Double acting (single acting allowed)
Oil tank capacity (L):	29
Usabel oil (L):	25
Max oil flow nominal (l/min):	0,26 (700bar)
Oil flow without load (l/min):	8,5
Oil flow with load (l/min):	0,265
Oil port:	3/8"NPTF - G1/4"
Air port:	G3/8"
Valve operation:	Advance/Hold/Release
Power source:	Aria
Pneumatic range (bar):	4-8 (10 max)
Average air consumption (l/min):	780
Noise (dBA):	85
Weight (Kg):	48,5



**Size:**



**Series comparison:**

Type	Max pressure (bar)	Cylinder	Tank (L)	Usable oil (L)	Oil flow unload (l/min)	Oil flow load (l/min)	Air range (bar)	Air consump (l/min)	Weight (kg)
UPFD710	700	S.E.	10	9	8,5	0,26 (700bar)	4-10	780	23,6
UPFD725	700	S.E.	30	25	8,5	0,26 (700bar)	4-10	780	48,5
UPDPF705-16/5	700	S.E.	5	4,6	4,9	0,29 (250bar)	4-10		13,9
UPMD710	700	D.E.	10	9	8,5	0,26 (700bar)	4-10	780	23,6
UPMD725-RC	700	D.E.	30	25	8,5	0,26 (700bar)	4-10	780	48,5
UPRDSE710	700	S.E.	10	9	8,5	0,26 (700bar)	4-10	780	24,7

**To order:**

- P/N 915330530 UPMD-RC725 580BAR BELL + GAUGE

**Accessories:**

- Fittings
- Hose Flex
- Parking feet
- Pivoting wheels

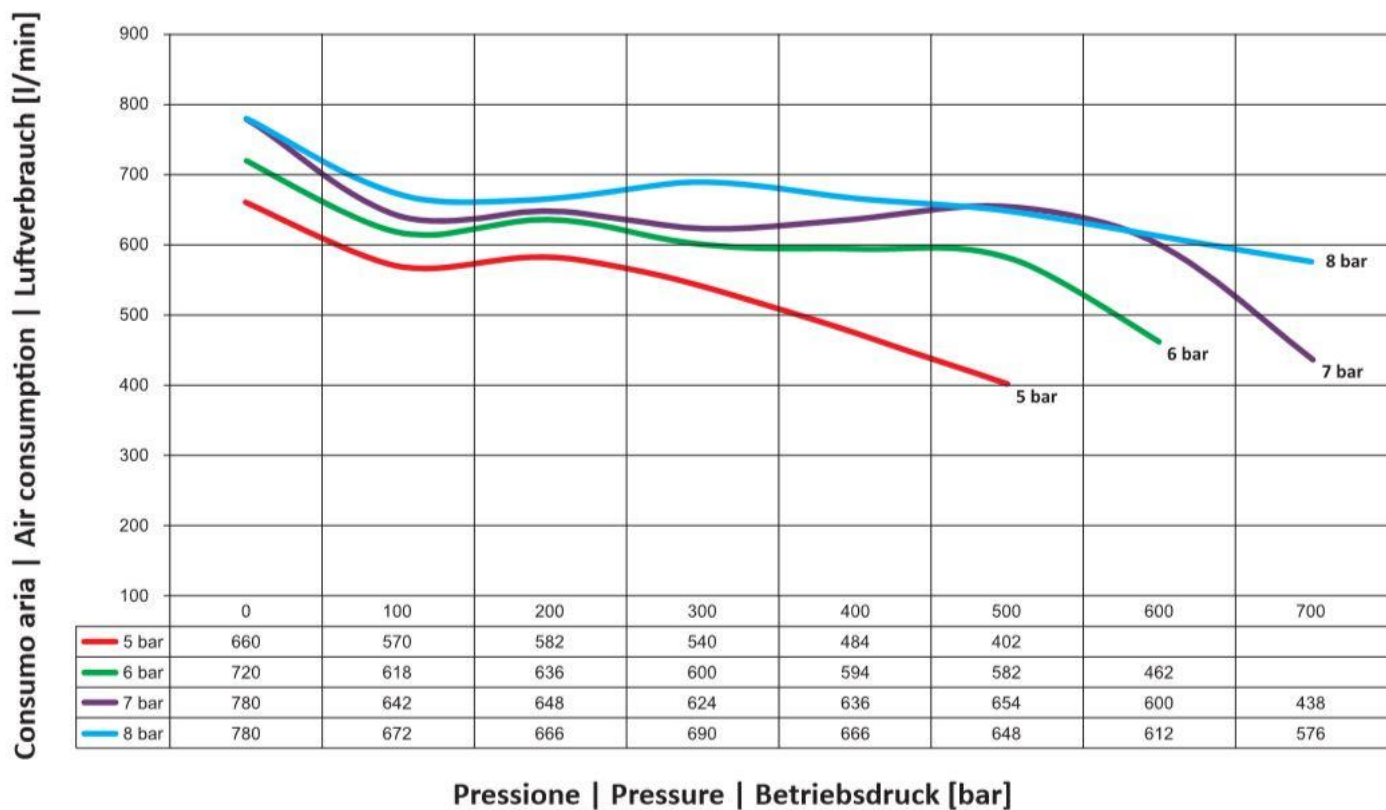
**Spare parts:**

- SEAL KIT UPMD



**All BELL products are designed and manufactured within BELL SRL in via F. De Pisis, 5 - 42124 Reggio Emilia (RE) - Italy, according to the Quality Standards that distinguish the MADE IN ITALY from the Rest of the World.**

### Diagrammi consumo aria (l/min) - (air consumption):



### Diagrammi portata (l/min) - (oil flow):

