



Ultra Air Pump

UPDSE710

Air hydraulic pump, double pneumatic motor, single acting, remote pneumatic RC drive (advance / seal / return), 3 button pneumatic control, tank capacity 10L, oil flow 0.26 l / min at 700bar (2nd stage)

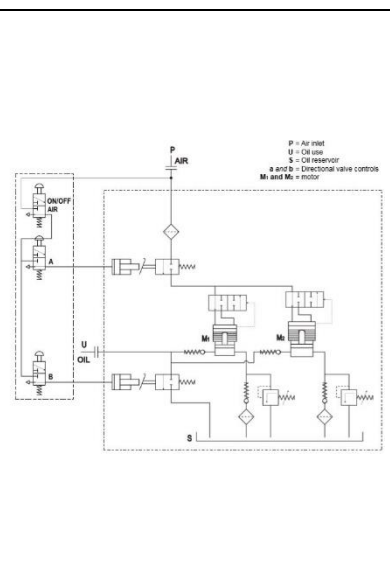
Series: UP

Product line: Industrial tools, large plants, lifting, clamping systems, large cylinders

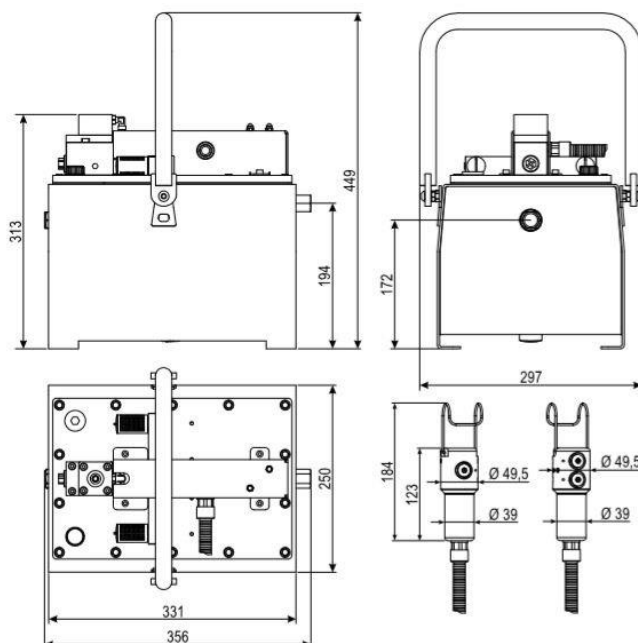
- Remote RC operation
- Pneumatic remote pendant (advance /hold /release)
- On/off safety button to prevent any type of accidental activation
- Tilting handle for easy grip during transport
- Single acting cylinder compatibility (double acting cylinder allowed)
- Secondary outlport for oil return to the tank
- Double air motor for large oil flows (l/min) and high working pressures (700 bar)
- Compact and sturdy construction for heavy duty and long durability
- Easy Maintenance
- No air lubricated required
- It works through the normal pneumatic network
- Filling oil cap with ventilation during use
- Internal oil pressure relief valve to protect the circuit parts
- Removable pyrex oil level indicator for maximum easy refill
- Slots on the base support for easy fix on the application
- Lightweight
- Double silencer for maximum comfort and safety during use (85dBa)
- 10 L tank capacity for small and large cylinders
- Parking feet or pivoting wheels (optional)

Technical features:

Max working pressure (bar):	700
Cylinder compatibility:	Single acting Double acting through in-line hand valve (optional)
Oil tank capacity (L):	10
Usable oil (L):	9
Max oil flow nominal (l/min):	0,26 (700bar)
Oil flow without load (l/min):	8,5
Oil flow with load (l/min):	0,265
Oil port:	3/8"NPTF - G1/4"
Air port:	G3/8"
Valve operation:	Advance/Hold/Release
Valve function:	Manual
Power source:	Air
Pneumatic range (bar):	4-8 (10 max)
Average air consumption (l/min):	780
Noise (dBA):	85
Weight (Kg):	25



Size:



Series comparison:

Type	Max pressure (bar)	Cylinder	Tank (L)	Usable oil (L)	Oil flow unload (l/min)	Oil flow load (l/min)	Air range (bar)	Air consump (l/min)	Weight (kg)
UPFD710	700	S.E.	10	9	8,5	0,26 (700bar)	4-10	780	23,6
UPFD725	700	S.E.	30	25	8,5	0,26 (700bar)	4-10	780	48,5
UPDPF705-16/5	700	S.E.	5	4,6	4,9	0,29 (250bar)	4-10		13,9
UPMD710	700	D.E.	10	9	8,5	0,26 (700bar)	4-10	780	23,6
UPMD725-RC	700	D.E.	30	25	8,5	0,26 (700bar)	4-10	780	48,5
UPRDSE710	700	S.E.	10	9	8,5	0,26 (700bar)	4-10	780	24,7

To order:

- P/N 915350390 UPRDSE710 700BAR BELL

Accessories:

- Fittings
- Hose flex
- In-line hand valve
- Parking feet
- Pivoting wheels

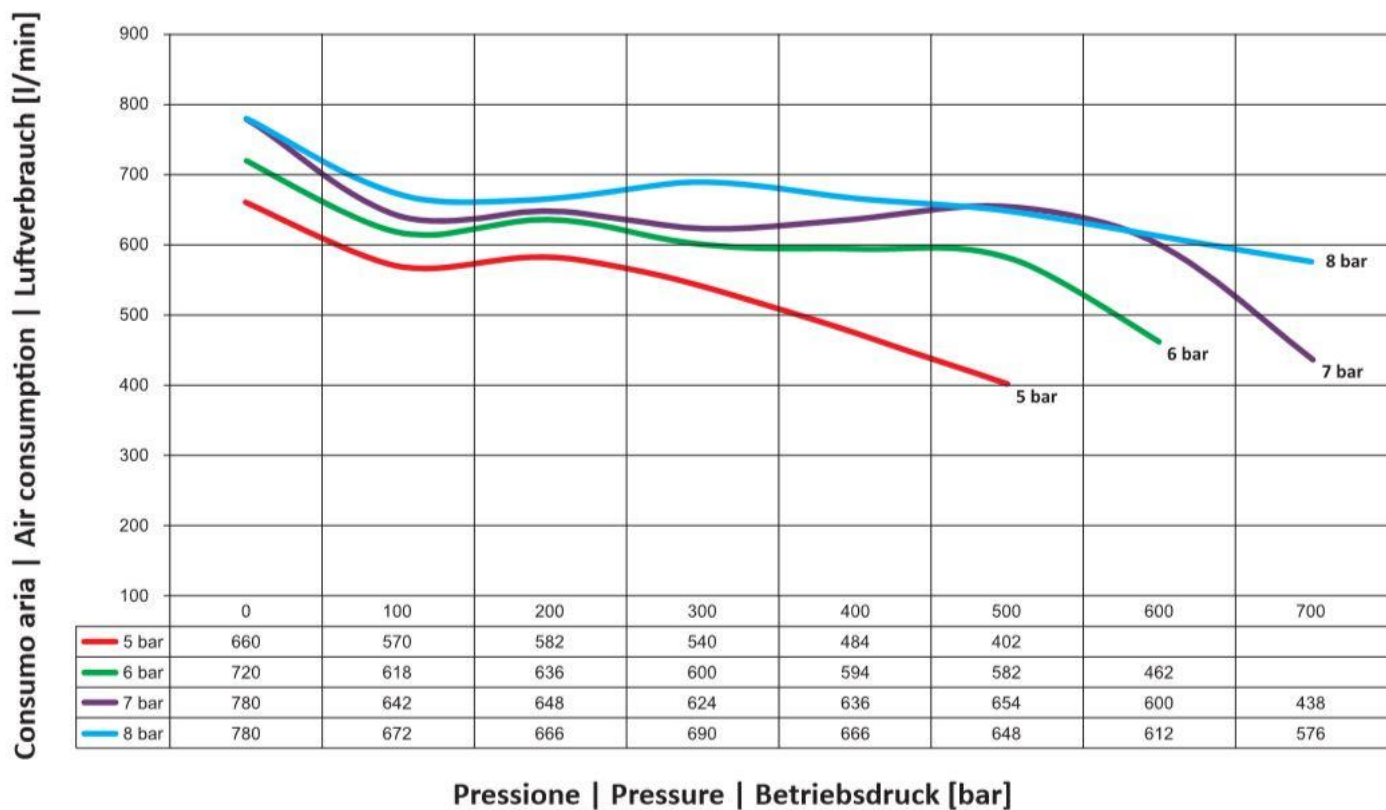
Spare parts:

- SEAL KIT UPRD



All BELL products are designed and manufactured within BELL SRL in via F. De Pisis, 5 - 42124 Reggio Emilia (RE) - Italy, according to the Quality Standards that distinguish the MADE IN ITALY from the Rest of the World.

Diagrammi consumo aria (l/min) - (air consumption):



Diagrammi portata (l/min) - (oil flow):

