



## HAND VALVE 1000BAR

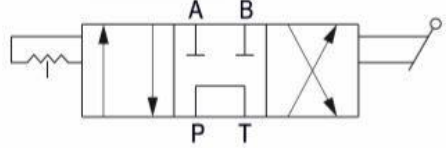
4/3 hand valve (4-way-3 positions), manually operated, Cetop3 connection, working pressure 1,000bar

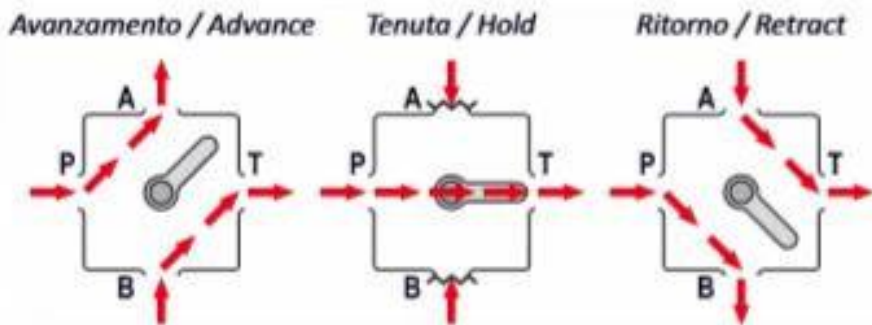
### Series: System Parts

Product line: Industrial tools, clamping systems, Pumps and Power Units, Filters, Cylinders, Industrial Vehicles, Hydraulic Circuits

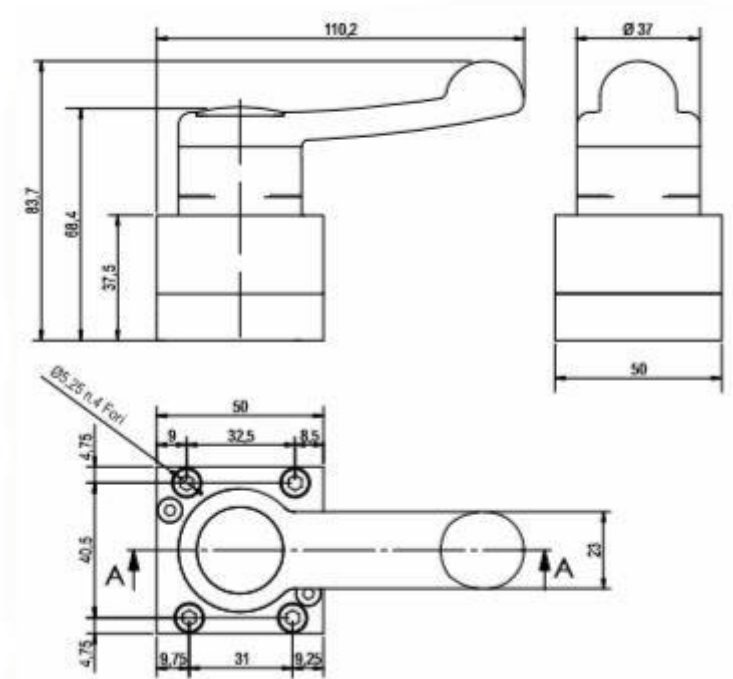
- Body and valve parts entirely in AVP
- Manual operation throughwith an ergonomic lever
- Lever in galvanized steel
- 4-way / 3-position valve (A-T-B)
- Open center
- Compatibility with single and double acting applications
- O-Ring seals in NBR 90SH
- Different flow configurations
- Materials resistant to stress even in harsh working conditions
- Anti-corrosion treatments for long durability over time

### Technical features:

Max working pressure (bar):	1000	
Max oil flow (l/min):	10	
Valve operation:	manual	
Flange:	Cetop 03	
Center:	open	
Seal:	NBR 90SH	
Weight (kg):	0,6	



**Size:**



**To order:**

990100120 HAND VALVE 4/3 1000BAR

Body+valve parts in AVP/ steel lever



All BELL products are designed and manufactured within BELL SRL in via F. De Pisis, 5 - 42124 Reggio Emilia (RE) - Italy, according to the Quality Standards that distinguish the MADE IN ITALY from the Rest of the World.