



HAND VALVE 700BAR

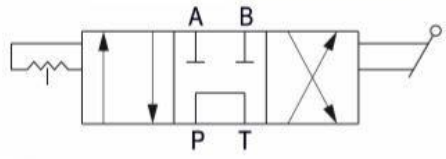
4/3 (4-way-3-position) hand valve, manually operated, Cetop3 connection, working pressure up to 700bar

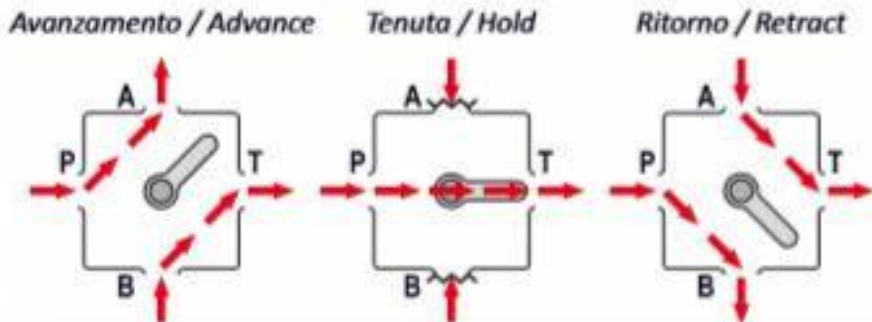
Series: System Parts

Product line: Industrial tools, clamping systems, Pumps and Power Units, Filters, Cylinders, Industrial Vehicles, Hydraulic Circuits

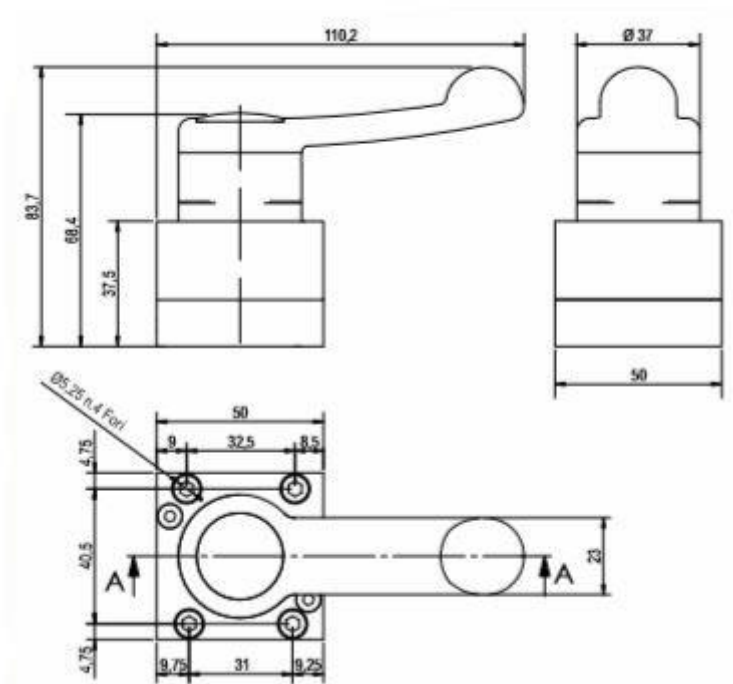
- Standard on all UPM pumps of the UP Series
- Manual operation throughwith an ergonomic lever
- 4-way / 3-position valve (A-T-B)
- Open center
- Compatibility with single and double acting systems
- O-Ring seals in NBR 90SH
- Different flow configurations
- Body and valve parts in treated and anodized aluminum
- Materials resistant to stress even in harsh working conditions
- Anti-corrosion treatments for long durability over time
- Pressure drop ≈ 0 (zero leaking)

Technical features:

Max working pressure (bar):	700	
Max oil flow (l/min):	10	
Valve operation:	manual	
Flange:	Cetop 03	
Center:	open	
Seal:	NBR 90SH	
Weight (kg):	0,4	



Size:



To order:

- 990100010 HAND VALVE 4/3 700BAR
- 990100015 HAND VALVE 4/3 700BAR LEVER 180
- 990100011 HAND VALVE 4/3 700BAR STEEL
- 990100020 HAND VALVE 4/3 700BAR VIT
- 990100030 HAND VALVE 4/3 700BAR AVP
- 990100080 HAND VALVE 4/3 700BAR INOX
- 990100100 HAND VALVE 4/3 700BAR-C.C.LEV.90-D
- 990100110 HAND VALVE 4/3 700BAR-C.C.LEV.90-S
- 990100012 HAND VALVE 4/3 700BAR P-T

- Standard
- Lever rotated 180°
- Lever made of steel
- VITON Seals
- Body and valve part in AVP (ATEX)
- Body and valve parts in Stainless steel
- Lever rotated 90° to the right
- Lever rotated 90° to the left

